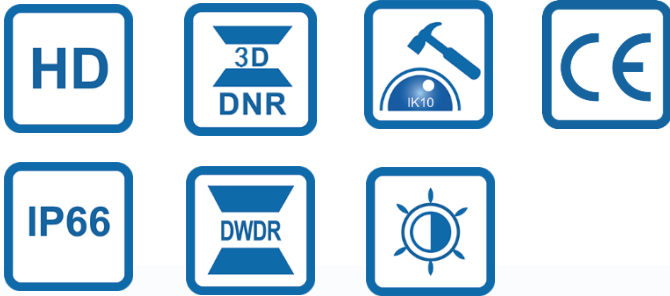


JF-AHC-BMB6380L-IR3-VF

8MP Low Illumination AHD Dome Camera



Features

- ◆ 1/2.3" 12MP CMOS
- ◆ HD lens:2.8mm-12mm
- ◆ 3D Digital Noise Reduction
- ◆ Day/Night: IR-CUT
- ◆ 30m-40m IR Distance
- ◆ Video Output: AHD@8MP
- ◆ Support coaxial control, coaxial upgrade
- ◆ Ingression Protection is IP66, IK10(optional)

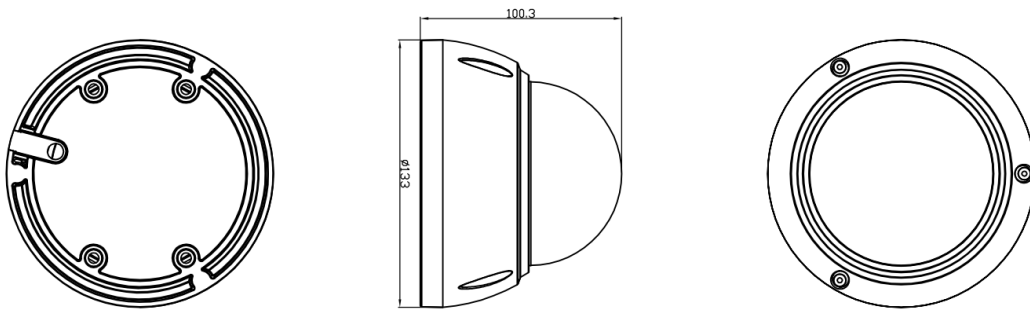
Specification

Camera	
Model	JF-AHC-BM6380L-IR3-VF
Image Sensor	1/2.3" 12MP CMOS
Min.Illumination	0.01Lux @F1.2 (Color)
	0.001 Lux @ F1.2 (B&W)
Frame Rate	50Hz:8MP@15fps
	60Hz:8MP@15fps
Lens	2.8mm-12mm
Day/Night	IR-CUT
Max.IR Distance	40m
OSD Menu	UTC Control
Wide Dynamic Rang	DWDR
Noise Reduction	3D
Interface	
Video Output	AHD @8MP
Audio In	-
Alarm In/Out	-
General	
Ingression Protection	IP66,IK10(optional)
Working Temperature	-20°~65°
material	Metal
Power	DC12V±10%

JF-AHC-BM6380L-IR3-VF

8MP Low Illumination AHD Dome Camera

Dimensions



Accessories (optional)

JF TECH Co.,Ltd.
Headquarters(Hangzhou):
Building 9, Yinhu Innovation Center, Hangzhou, China
Business Center(Shenzhen):
A 7th Floor, Block Sakata 5 Avenue and Chong Hing Times Tower Shenzhen
All Rights Reserved • Specifications subject to change without notice.

Website:<http://www.jftech.com>
Tel:+86-0571-23271188

Tel:+86-0755-32898088