

JF-IPC-BM2321-IR2

1080P Low Illumination Network Dome Camera



Features

- ◆ 1080P@25fps
- ◆ HD lens:3.6mm (6mm optional)
- ◆ Support ONVIF(profile S)
- ◆ Support H.265+/H.265/H.264+/H.264
- ◆ Video compression, multi-level video quality configuration;
- ◆ Support intelligent video: Tripwire, Intrusion, Missing Object;
- ◆ Protection level is IP66,IK10(optional);
- ◆ Supporting WEB, VMS, MYEYE platform;
- ◆ Support mobile phone monitoring (IOS, Android);

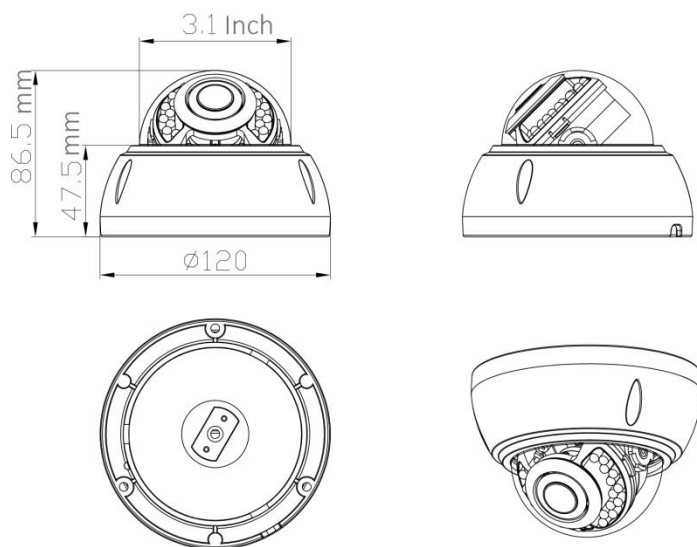
Specification

Camera	
Model	JF-IPC-BM2321-IR2
Image Sensor	1/2.7" 1080P CMOS
Min.illumination	0.01Lux@F1.2(Color)/0.001Lux@F1.2(B/W)
Lens	3.6mm (6mm optional)
Day/Night	IR CUT
Wide Dynamic Range	DWDR
Max.IR Distance	30m
Video Compression	H.265+/H.265/H.264+/H.264
Multi-streaming	Dual-stream
Frame Rate	1080P@25fps
Intelligent Video	Tripwire, Intrusion, MissingObject
Compatibility	ONVIF
Interface	
Audio In/Out	1/0
Memory Slot	--
Alarm In/Out	--
General	
Ingress Protection	IP66,IK10(optional)
Working Temperature	-20℃~+65℃
Material	Metal
Power	DC12V±10%,PoE

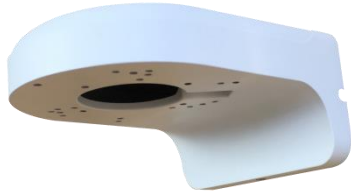

JF-IPC-BM2321-IR2

1080P Low Illumination Network Dome Camera

Dimensions



Accessories (optional)

Bracket	Junction Box
PA-BR-W2	PA-BO-C1
	

JF TECH Co.,Ltd.

Headquarters(Hangzhou):

Building 9, Yinhu Innovation Center, Hangzhou, China

Business Center(Shenzhen):

A 7th Floor, Block Sakata 5 Avenue and Chong Hing Times Tower Shenzhen

All Rights Reserved • Specifications subject to change without notice.

Website:<http://www.jftech.com>

Tel:+86-0571-23271188

Tel:+86-0755-32898088